

RF-Cable, SMA-F ~ U.FI

ERF5000

Description

The ERF5000 is a RF-Cable suitable for RF applications. The cable has 1 SMA female connector, and 1 U.FL connector. It can be used for RF cable assemblies, and as an accessory for antenna's.



Typical applications

- RF Cable assembly
- Antenna accessory



Features

Mechanical Properties

Connector Type: SMA Female & U.FL

Cable Length: 100 mm ± 3

Cable type: Coaxial 1.13mm

Operating Temperature Range: -20°C~+75°C

Storage Temperature Range: -40°C~+80°C

Electrical Properties

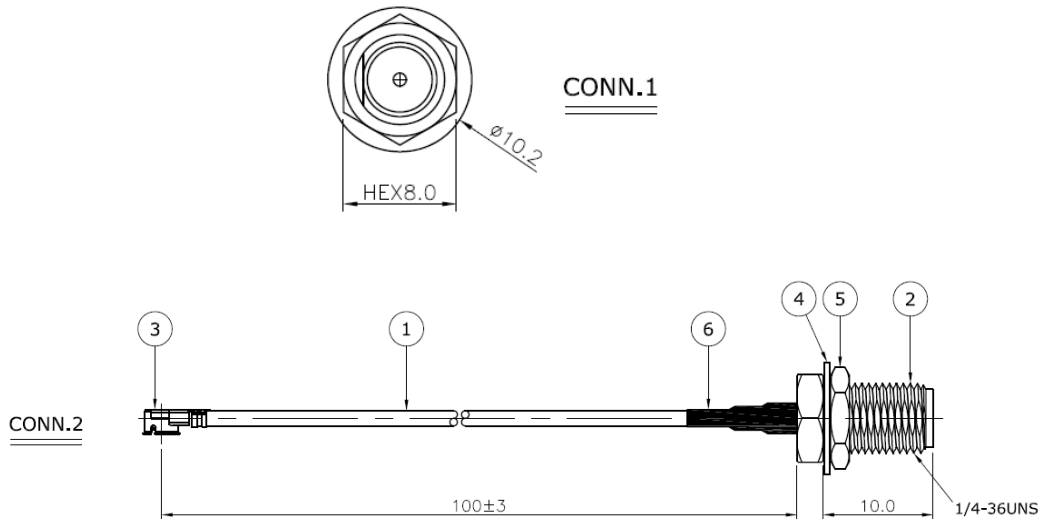
| Part | Description | QTY |
|------|-----------------------------|-----|
| 1 | Cable 1.13 mm, Black | 1 |
| 2 | SMA Straight Jack | 1 |
| 3 | Ipex (U.FL) | 1 |
| 4 | Washer, Brass, Gold plating | 1 |
| 5 | Nut, Brass, Gold plating | 1 |
| 6 | Heat shrink tube, Black | 1 |

RF-Cable, SMA-F ~ U.FI

ERF5000

Dimensions

*unit: mm



Connector



SMA Male



SMA Female



RP-SMA Male



RP-SMA Female

The ERF5000 uses a SMA Female and an U.FL connector.

Ordering information

Ordering can be done via www.summit-electronics.com or via info@summit-electronics.com. Please contact us for more information. Customisation of the product is available on request.

Technical support

For all product questions please contact us via info@summit-electronics.com

Document revision

| Rev | Date | changes |
|--------|------------|-----------------------------|
| V01.00 | 16-07-2023 | First issue of document, EK |